



**Web Ventures**

**Property Solution | Aluminium Fabrication | Interior Design**

# About us

*For us, success is more than mere statistics. It is steered by our passion for excellence. Through each of our companies, we set out to define the region's industry practices and create market benchmarks of international standards. We believe in long term business relationships that are based on mutual goals, ethical business practices and the single minded pursuit of delivering the extraordinary.*



# Our Mission

The fulfillment of this ambitious goal is guaranteed by the most important asset of the group and its team. Owing to their knowledge, expertise in their divisions. We are able to instantly deliver the best business solutions for real estate / Aluminium Fabrication/ Interior Design industry. We treat every task individually and focus mainly on satisfaction of companies and clients co-operating with us.



# Our Vision

Web Ventures is constantly extending its services and regularly offers its clients additional ways to reach their goals. Our primary objective is to maintain a great reputation that the company enjoys among people who benefited from our services. Such attitude guarantees upholding a leading position among Polish companies. However, we are superior to our competition due to synergy between activities of specialized sub-companies of the Web Ventures Group



# ***Our Services***

*We Specialises in Design, Fabrication & Installation of the Architectural Metal, Glass and Glazing Works for all types of Building Projects. Having been in the business for many years, we have accumulated a wealth of experience in the following core group of activities. Our vast array of products and services are Design, Fabrication, Supply and Installation of*

*Aluminium Curtain Walls*

*Aluminium Claddings*

*Aluminium Windows*

*Aluminium Doors*

*Aluminium Shop front with*

*Tempered Glass*

*Aluminium Sunscreens/Sunshades & Louvers*

*Frameless Tempered Glass Doors/Sliding Doors*

*(Aluminium and Glass)*

*Glazing Works including Tempered Glass*

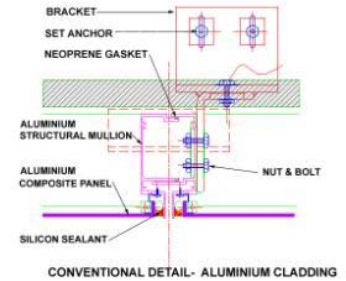
*All Other Glass Works*

*Glass Cleaning Services*



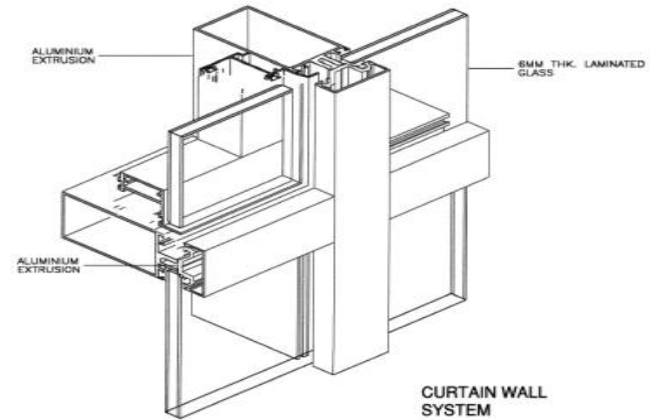
# Aluminium Composite Panel Cladding

*Cladding is basically a typical metal curtain wall system. This system is constructed of light weight aluminium composite panels. Its applications include exterior cladding, column covers, in fill panels, fascias and canopies, clean rooms, interior walls and partition panels, equipment enclosures and beam wraps, trim and accents, soffits, parapets, louvers, sun shades and cornices.*



# Structural Glazing

*Structural Glazing with silicone is a specialized curtain walling system, which allows perfectly uniform large glazed spaces, not interrupted by traditional frames or any other supporting or fitting system projecting out of the pane of the glass. Instead of being fitted in the frames, the glass is fixed to a support, which in turn is attached to the structural element of the building, the tightness of the whole being obtained by a silicone seal. The glass is fixed on the support by means of the silicone seal along the edges of the internal surface.*



## ***Curtain Wall***

*The Stick **Curtain Wall** System is a frame of aluminium with mullions and transoms quit similar to large framed glazing except that the walls form an independent envelope around the main structure and are generally not resting on the concrete structure but are only connected to it. Plainmetry of the whole glass wall as a single unit and special sealing elements, materials and techniques make it a highly specialized job. The glass is placed in the belt and is being fixed with covered pressure plate.*

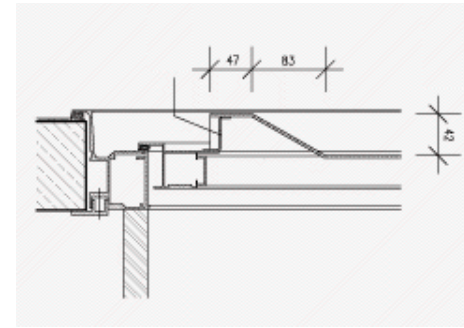


## ***Aluminium Glazed Partitions***

*We offer **Aluminium Glazed Partitions** either full or half partings in offices or factory buildings made out of interior matching colored powder coated or anodized aluminium frames, pre laminated board or glasses. These partitions provide enough privacy from each other for so many persons working under one roof.*



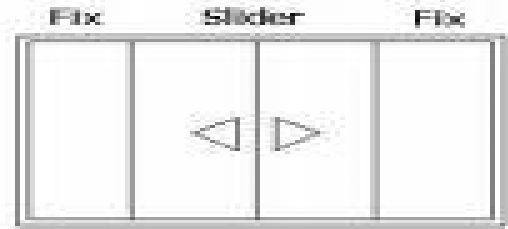
# Aluminium Doors



*Aluminium Doors are the traditional doors made up of the aluminium frames with glass panes inside and floor springs mounted engineered to realize the architect's vision. Along with these doors, fixed and framed glazing levels a great impact and unique look.*



# *Aluminium Sliding Window*



**Windows** with the flexibility of opening by sliding a shutter according to requirement. The unique feature of this type of window is that these do not require any space for opening. Moreover, the window panels move parallel to the walls.



## *Aluminium Fix Windows*

**Aluminium Fix Windows** offers design flexibility and these are perfect for offices and residential buildings. Different opening possibilities are: fixed, side hung, top hung, tilt turn and pivoting windows.



## ***Casement Windows***

*Aluminium **Casement Windows** are quite elegant and convenient and are used extensively in residential buildings. The hinged, stay panels enable windows to open either side. These can also be made to have mosquito mesh, grills etc.*



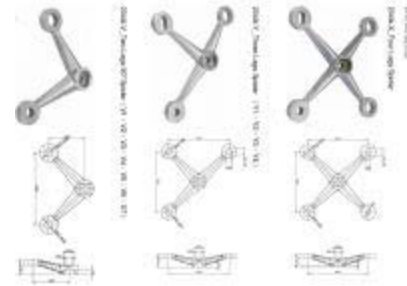
# Spider Glaze

*A solution to more and more structural needs.*

*Different shapes, dimensions for a wide variety of specifications are available.*

*Center to center dimensions vary according to the wind load and stress requirements. The shapes in X, H etc are available for different visual impact.*

*Different types of fixing arrangements like fin type, structure fixing types are also available. Spiders are available in Stainless Steel 304 or 316 Grades.*



## ***Glass Doors***

*Glass Doors are made up of tempered glass, transparent or translucent, clear or tinted highly polished edges and with holes and notches factory cut to fix the accompanying metal fittings. These doors can be installed at the convenience of the clients but in standard configurations. In modern construction industry, these are very popular door systems which are supplied in a ready to assemble condition with complete fittings like patch fittings, floor closer, handles etc and are installed in a matter of hours.*



# *Aluminium Canopy*

*Modern **entrances canopy** of all types of building are designed to shape excellent look of the building and have a different approach of the building. These canopies are designed and fabricated out of aluminium frames and aluminium composite panels*








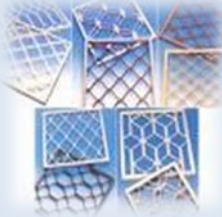


## ***Glass / Facade Cleaning Services***

*Due to modern building design the need for competent, professional window cleaners is essential. Our operatives all receive full off and on-site training and are experienced in all types of window and facade cleaning which enables us to give our clients the guarantee that our work is safe, efficient and cost effective.*



# Accomplished Projects

<p><b><u>Basavanagudi</u></b></p> <p>ACP 1700Sqft Glazing 1200Sqft <b><u>Architects : Sajad Associates</u></b></p> 	<p><b><u>Jayanagar 3rd Block R.V. Road</u></b></p> <p>ACP 1500Sqft Glazing 2000Sqft <b><u>Owner : Shabir Pasha ( Canara bank director)</u></b> <b><u>Architect: SV Consultants</u></b></p> 
<p><b><u>Richmond Town (Alexander Street)</u></b></p> <p>ACP 2500Sqft Glazing 1000Sqft <b><u>Owner : Narayan Swamy</u></b> <b><u>Architects : Deepti Associates</u></b></p> 	<p><b><u>Kasturba Road</u></b></p> <p>ACP 80000Sqft Glazing 4000Sqft <b><u>Owner : Farooq Sait ( Karnataka Realtors)</u></b></p> 
<p><b><u>Langford Town (Walker Lane)</u></b></p> <p>ACP Cladding 1800Sqft Glazing 1200Sqft <b><u>Owner : S.N.S Corporation (Building &amp; Developers)</u></b> <b><u>Architects : Team Work</u></b></p> 	<p><b><u>Richies Restaurant (R.T. Nagar)</u></b></p> <p>ACP Cladding 1000Sqf Glazing 1000Sqft <b><u>Owner : Richies</u></b> <b><u>Architect Design : Web Ventures</u></b></p> 
<p><b><u>Frazer Town</u></b></p> <p>ACP Cladding 4000Sqft Glazing 1500Sqft <b><u>Owner : Tawwakel &amp; Tawwakel</u></b> <b><u>Architects : TNT Builders</u></b></p> 	<p><b><u>Whitefield</u></b></p> <p>Grill Partitions 5000 Sqft <b><u>Owner : Airtel</u></b> <b><u>Architects : Patel Associate</u></b></p> 

# Contact us

## Corporate Office

#3/12,  
Berlie Street Cross  
Langford Town,  
Mobile: 9743308002 / 9620230044  
Bangalore – 560 027

## Branch Office

#40,  
Dinnur Main Road  
R. T. Nagar Post,  
Bangalore – 560 032  
Phone: +91 80 2353 2080  
Mail: [info@webventures.net.in](mailto:info@webventures.net.in)  
URL: <http://www.webventures.net.in>

